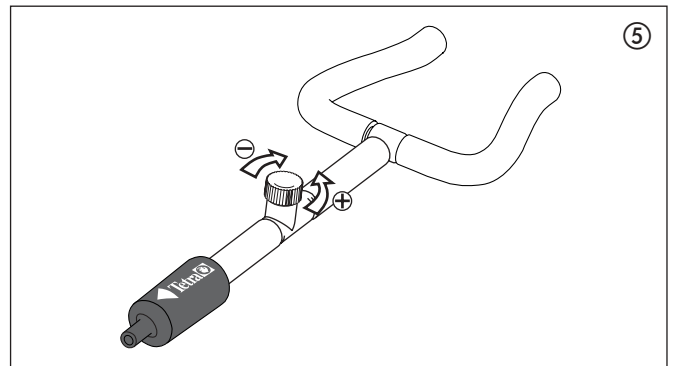
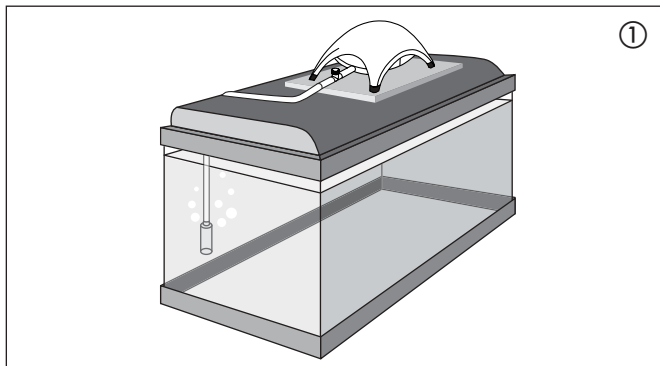
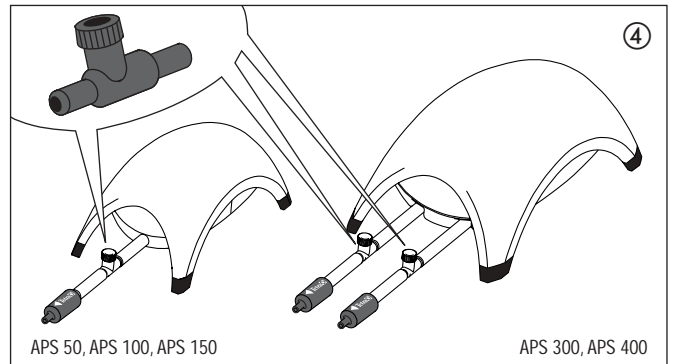
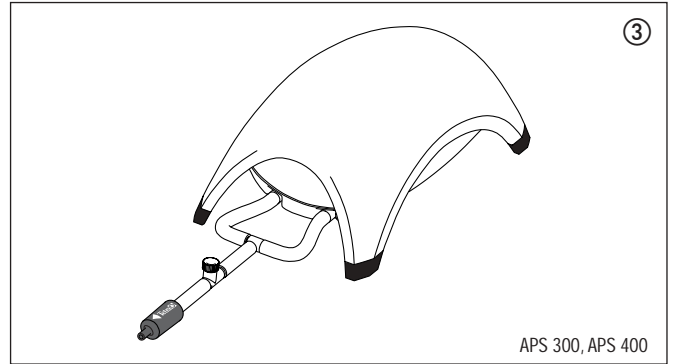
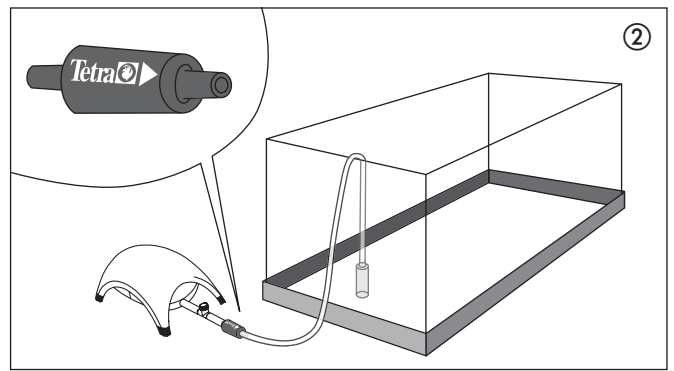
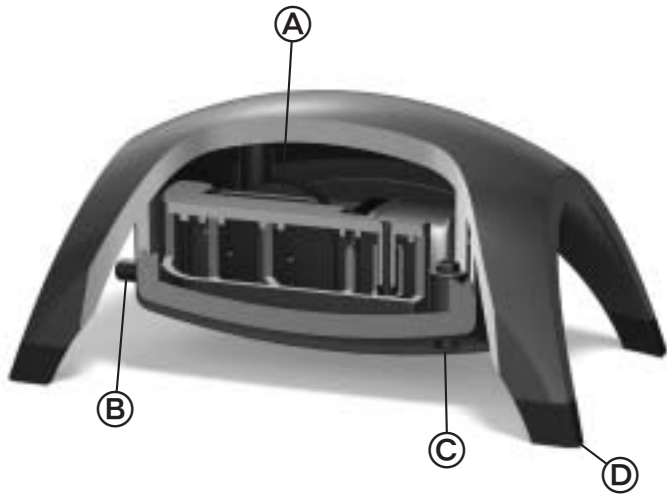


# Tetra<sup>tec</sup>®

APS 50 / 100 / 150 / 300 / 400



**Tetra** 



# Tetra<sup>tec</sup>®

## APS 50 / 100 / 150 / 300 / 400

### Dear Customer,

Congratulations on choosing your new advanced Tetra<sup>tec</sup>® APS Air Pump.

This air pump has been specially designed to provide a powerful, continuous flow of air to enable you to use it for many applications, from powering a single airstone or action ornament to driving internal box-type or undergravel filters.

The Tetra<sup>tec</sup>® APS Air Pump not only produces a continuous flow of air for your aquarium, but features such as the world patented Silaflex® internal air valves and the Tetra<sup>tec</sup>® long-life diaphragms ensure that your pump is reliable and will give you years of trouble free service.

### Tetra<sup>tec</sup>® APS Air Pump

- A. Long life diaphragm
- B. Air outlet nozzle
- C. Air intake and filter
- D. Vibration absorbing rubber feet

### Instructions

#### How to install your Tetra<sup>tec</sup>® APS Air Pump

##### Positioning your air pump

Your Tetra<sup>tec</sup>® APS Air Pump should be positioned **outside** the aquarium on a dry, clean and even surface to reduce vibration and therefore the noise level.

Your Tetra<sup>tec</sup>® APS Air Pump should be positioned so that it is always above the water level in the tank. This is to prevent water from back-siphoning into the pump when switched off (Diagram 1).

If you wish to keep your air pump below the level of the water then it is recommended that a Tetra<sup>tec</sup>® CV Check Valve is installed between pump and aquarium to prevent back-siphoning (Diagram 2). Tetra<sup>tec</sup>® CV Check Valves are sold separately.

**NB. The pump must be positioned so that there is no possibility of it falling into the aquarium as electrical shock may occur.**

The air pump should be connected to accessories such as a Tetra<sup>tec</sup>® AS airstone, using standard aquarium airline available from your local retailer (Diagrams 1, 2).

For twin outlet models (APS 300 and 400) both outlets can be joined together using the standard airline T-piece connector

included in this packaging (Diagram 3).

In order to run the Tetra<sup>tec</sup>® air pump just connect the power plug with the mains supply. After a few hours the air pump will achieve its full power.

#### Adjusting the airflow on your Tetra<sup>tec</sup>® APS Air Pump

To regulate the airflow, use the flow control valve(s) included (as in Diagram 4). When using a check valve, always place the flow control valve between the air pump and the check valve. To reduce the flow, slowly turn the flow control knob clockwise (Diagram 5).

#### Care and Maintenance of your Tetra<sup>tec</sup>® APS Air Pump

**Always disconnect the air pump from the power supply before carrying out any maintenance work on the unit.**

This unit does not require lubricating due to its low-maintenance design.

The air filter (C) should be replaced periodically depending on the accumulation of dirt on the felt pad. Failure to replace a blocked air filter may result in decreased

air flow from the unit.

Clean the outside of the unit using a damp cloth and a mild detergent.

Do not use abrasive or caustic cleaning agents when cleaning the unit.

Never immerse the pump in water.

Airstones, after a period of time, are prone to blocking, which can increase the amount of back pressure on the pump diaphragms. Due to this, the lifetime of the diaphragms can be reduced significantly. To avoid this happening it is recommended that all airstones are replaced on a periodical basis or when airflow from them is reduced.

#### Getting the best from your Tetra<sup>tec</sup>® APS Air Pump

##### Noise

If your unit seems unusually noisy in use, then it is possible that you are experiencing amplified vibrations due to resonance from the surface on which the unit is standing or from where the airline comes into contact with the aquarium, hood, stand, or other associated equipment. If this occurs it is recommended that the pump be placed on a more solid surface or even on a piece of

expanded foam rubber. If resonance occurs from the airline coming into contact with other hollow units etc. then re-routing is recommended.

##### Wear and Tear

If your pump begins to show signs of a decreased air flow at any time then it is likely that either one or more of the internal moving components has started to wear and requires replacement.

If air flow is found to decrease then it could be due to one of the following:

1) The unit does not operate.

(If the unit is working, a slight vibration can be felt when touching the pump.)

If the unit is not working then check all fuses and electrical connections.

2) Air inlet filter is blocked - Check and if the felt pad is very dirty then this should be replaced.

3) Diaphragms worn or split - To gain access to the inside of the unit simply remove the screws on the base of the unit with a screwdriver and carefully remove it. Change the diaphragm according to the instruction leaflet of the replacement kit which is available at your local retailer.

(If you have difficulty obtaining replacement kits from your local retailer then please ring the Tetra service department on 08700 55 40 20.)

### Technical data

model	airflow in l / h	size of aquarium	numbers of air outlets	numbers of valves to control flow*
APS 50	50	10 to 60 litres	1	1
APS 100	100	50 to 100 litres	1	1
APS 150	150	80 to 150 litres	1	1
APS 300	300	120 to 300 litres	2	2
APS 400	400	250 to 600 litres	2	2

\* included in the packaging

### 3 Year Guarantee

Thanks to modern production processes, high-quality components and strict quality controls we allow a guarantee of 3 years from the date of purchase on the accuracy of the Tetra<sup>tec</sup>® APS Air Pump. Please keep proof of purchase! The guarantee does not cover improper use, normal wear and tear as well as modification to the appliance. In case of complaints please contact your local retailer or address to Tetra (UK) Ltd, P.O. Box 271, Southampton, SO18 3ZX.

##### Safety First

**Always isolate the unit from the mains electricity before carrying out any maintenance work.**

**The supply cord cannot be replaced. If the cord is damaged the appliance should be scrapped. On no account must an unqualified person attempt to carry out any electrical repairs on this unit.**

**For more information on fishkeeping please contact Tetra Information Centre at the address above.**

### Tetra<sup>tec</sup>® Tip:

Tetra offers you a wide choice of high-quality products which are available at your local retailer. If you need further advice do not hesitate to contact us.

Tetra GmbH  
D-49304 Melle,  
Germany  
www.tetra.net



# Guarantee

# Bon de garantie

APS 50 / 100 / 150 / 300 / 400

APS 50 / 100 / 150 / 300 / 400

## Please return within 14 days of purchase

Tetra guarantees this product will be repaired or replaced free of charge for three years from the date of purchase if it fails to work because of faulty material or workmanship. This guarantee is subject to the following terms:

- Should it become necessary to make a claim under guarantee within 28 days of purchase, please return this product in its original packaging, with proof of purchase, to the shop from where it was purchased.
- After 28 days and within three years of purchase return the product directly to Tetra, P.O. Box 271, Southampton, SO18 3ZX. Guarantee claims will only be considered if accompanied by a proof of purchase. Ensure your pump is adequately packaged and marked "Fragile with Care". Damage due to bad packaging is the responsibility of the sender. Postage will be refunded on all products replaced under guarantee.
- Tetra's decision on all questions relating to alleged defects and repair shall be conclusive.

4. This warranty does not invalidate your statutory rights, but to preserve the full benefits the registration card should be completed within 14 days and returned to Tetra.

5. Repair parts or replacement product will be given on an exchange basis and will either be new, equivalent to new or reconditioned. All replaced parts or product become our property.

6. The guarantee does not cover normal wear and tear, nor any deterioration suffered through overloading, improper use, negligence or accident. Similarly any modification made by the purchaser to the appliance will cause the guarantee to be null and void. Please note that we may have to charge for new pump diaphragms if their life has been impaired by excessive back pressure (see instruction leaflet).

7. Tetra will not accept liability for compensation for any loss or damage whatsoever sustained by the purchaser (except injury to person).



Cachet et signature du revendeur

Date d'achat: \_\_\_\_\_

Motif de la réclamation:

---

---

---

---

---

---

---

---



### Tetratec equipment guarantee registration card

Your completion of this section would be appreciated

#### WHERE WAS YOUR PRODUCT PURCHASED?

- Aquatic Centre
- Garden Centre
- Pet Shop
- Mail Order

#### WHAT PROMPTED YOU TO PURCHASE YOUR TETRA EQUIPMENT?

- Product display
- Leaflets
- Advertisement
- User recommendation
- Supplier recommendation

Name of Purchaser \_\_\_\_\_

Address \_\_\_\_\_

Postcode \_\_\_\_\_

Suppliers Name \_\_\_\_\_

Address \_\_\_\_\_

Date of Purchase \_\_\_\_\_

**Please complete this guarantee card and return to Tetra within 14 days of purchase in order to validate your guarantee.**

Tetra (UK) Ltd  
P.O. Box 271  
Southampton  
SO18 3ZX

Cet appareil est garanti contre tout défaut de fabrication durant 3 ans à compter de la date d'achat. La garantie couvre le remplacement du matériel reconnu défectueux. Pour toute réclamation, rapporter l'appareil accompagné du bon de garantie dûment rempli et daté chez votre revendeur, faute de quoi, la réclamation sera jugée irrecevable.

Attention: cette garantie n'inclut pas les défauts dus à une utilisation ou

une manipulation incorrectes, à un usage non conforme à la destination du matériel, à une détérioration, ainsi qu'aux dommages provoqués par l'eau et la saleté. Cette garantie ne couvre pas non plus l'usure normale du matériel.

Nous déclinons toute responsabilité pour les dommages pouvant être causés par l'emploi incorrect de cet appareil (accident matériel ou causé à des tiers).